



LIQUID RUBBER

INTERIOR BASEMENT

APPLICATION GUIDE

1150 Eighth Line Unit 16 Oakville, ON L6H 2R4
1-855-592-1049 | Support@ShopLiquidRubber.com

www.ShopLiquidRubber.com



PROTECT YOUR BASEMENT

Protect your home with Liquid Rubber Foundation Sealant & Color Sealant—your ultimate defense when exterior application isn't an option. These easy-to-apply waterproof membranes prevent water intrusion, safeguarding your space from mold and water damage. Keep your home dry, safe, and secure!



Foundation Sealant



Color Sealant - Light Grey

STEP 1: BEFORE YOU BEGIN IDENTIFY YOUR SURFACE

Liquid Rubber Foundation Sealant & Color Sealant are the last line of defense for protecting your home's foundation (when exterior application is not feasible)

These products can be used on:

- Poured concrete
- Concrete masonry units (CMU's)
- Insulated concrete forms (ICF)
- Pre-cast, and permanent wood foundations (PWF's)

These easy to apply waterproof membranes will help to prevent the intrusion of water into your living or storage space, resulting in mold and/or water damage to your property.

Follow the steps detailed below to ensure proper installation of your high performance foundation coating. It is always recommended to waterproof the exterior whenever possible.

If you have any questions about your project, contact Product & Application Support by email at Support@ShopLiquidRubber.com or call 1-855-592-1049. Our experts can guide you through every step.



Foundation Sealant dries black



PICK THE RIGHT PRODUCTS: SELECT YOUR SEALANT

1. **Color Sealant** - Multiple color options including clear
2. **Foundation Sealant** - Black

PICK THE RIGHT PREP & PRIMER

1. **Wood** – Liquid Rubber Multi-Purpose Primer & Deck And Patio Cleaner
2. **Concrete** – Liquid Rubber Multi-Purpose Primer
3. **Cracks, joints & voids** – Liquid Rubber Sealant & Adhesive Caulk or Geo-Textile

ADDITIONAL SUPPLIES

- Sanding block or sandpaper
- Gloves
- Disposable brushes and/or rollers

INSPECTION

All surfaces must be structurally sound, clean, dry, and free from contaminants that would prevent proper adhesion.

Concrete: Should be allowed to cure for at least 28 days. Liquid Rubber Foundation Sealant can be applied over aged solvent-based existing coatings. Foundation cracks can be an indicator of structural damage. Consult a professional. Be sure to perform a moisture test on the concrete prior to application. Refer to moisture test guidelines on concrete by [clicking here](#).

Wood: Secure raised nail heads, screws, and loose panels. Pre-fill imperfections such as screw holes, knots, and splits in the wood with a high quality wood filler or with Liquid Rubber Sealant & Adhesive. Replace damaged and rotting wood and remove loose splinters. [Refer to moisture test for wood here](#)

ICF: Rasp the surface to remove oxidized material and create surface profile.





STEP 2: ONCE YOU HAVE YOUR SUPPLIES

WEATHER & WHEN TO APPLY

- Apply in dry, warm temperatures between 10C/50F and 30C/86F, including overnight temperatures
- Do not apply in wet conditions or if rain, fog or dew is forecasted within 24 hours
- Out of hot, direct and intense sun
- Below 80% humidity
- Make sure what you are coating is at least 5 degrees above the dew point of the environment ([Click here for more info](#))

SET UP & CLEAN UP:

Stay organized and limit clean up by following these setup tips:

1. Set out a tarp or large piece of cardboard to keep containers and tools on when not in use.
2. If there is a spillage, soak up as much material as possible with rags.
3. Clean your Color Sealant spillages with soap and water as much as possible.
4. Foundation Sealant should be cleaned up immediately with mineral spirits (sparingly) or baby oil to weaken surface
5. If the spillage dries, scrape it off with a razor/scrapper/etc and use a wire brush to remove.
6. Do not use solvents or solvent based cleaners, adhesives, and paints near your working area.
7. Wrap tools in plastic to keep them moist between coats (kitchen wrap is fine). Best to use disposable brushes and rollers.
8. Refer to the product Safety Data Sheet for personal protective equipment recommendations.

**Test inconspicuous area first to ensure compatibility and no discoloration on surface*



STEP 3: PREPARE THE AREA

PREPARATION & CLEANING:

Liquid Rubber products must be installed on a clean, dry, and structurally sound surface that is free of sharp edges, dirt, debris, oil, grease, coal tar, mastics, flaking paint, silicone, or other contaminants.

1. **Scuff** walls with 120grit sandpaper. If previously painted or coated, remove any loose or flaking material.
2. **Clean** the surface: Use Liquid Rubber Deck and Patio Cleaner to remove mildew and organic growth. Rinse well.
3. Use **masking tape** for areas not to be painted and remove tape while the Primer/Coating is still wet. (Reapply masking tape for each coat)
4. Once the surface is **dry**, it is recommended to perform a moisture test. (Linked above in the inspection section)



STEP 4: DETAIL WORK

FILLING SEAMS, JOINTS AND IMPERFECTIONS:

1. Fill cracks and joints $\frac{1}{8}$ " - $\frac{1}{4}$ " with Liquid Rubber Sealant & Adhesive Caulking. Allow to 24 hours to dry.
2. Cracks or holes larger than $\frac{1}{4}$ " should be filled with patching material (i.e. concrete patch)
3. Bridge all cracks, joints and seams with Liquid Rubber Geo-Textile using the 3 course method (Primer - Geo-Textile - Primer)
4. Apply Liquid Rubber Multi-Purpose Primer to entire surface to be coated. Allow to dry. (1-2 hours)

**Remember, these are the area's most likely to leak so pay special attention to the details, nobody wants to do it twice!*



STEP 5: APPLY THE COATING

HOW TO APPLY LIQUID RUBBER COATING

Once your preparation is complete, and the primer is dry you can begin your full field application.

1. Mix product well with large stir stick or equivalent
 2. Begin applying your selected Liquid Rubber waterproof coating in manageable sections (i.e. 10ft x 10ft). Lap onto adjoining sections maintaining a wet edge. (When lapping onto a dry section, overlap by 4-6 inches).
 3. Inspect each coat as you go for blisters, pinholes, and imperfections and repair as necessary.
 4. Allow 6-8 hours between coats (dry to the touch) Apply additional coats in alternating directions to help ensure uniform membrane thickness.
- Remove painters tape while coating is still wet. Apply masking tape for each coat (or just stay shy of the termination line).
 - Apply all recommended material (final coverage) to achieve your waterproof membrane.
 - Allow to cure completely. **Initial cure(set) within 48 hours or until completely dry.

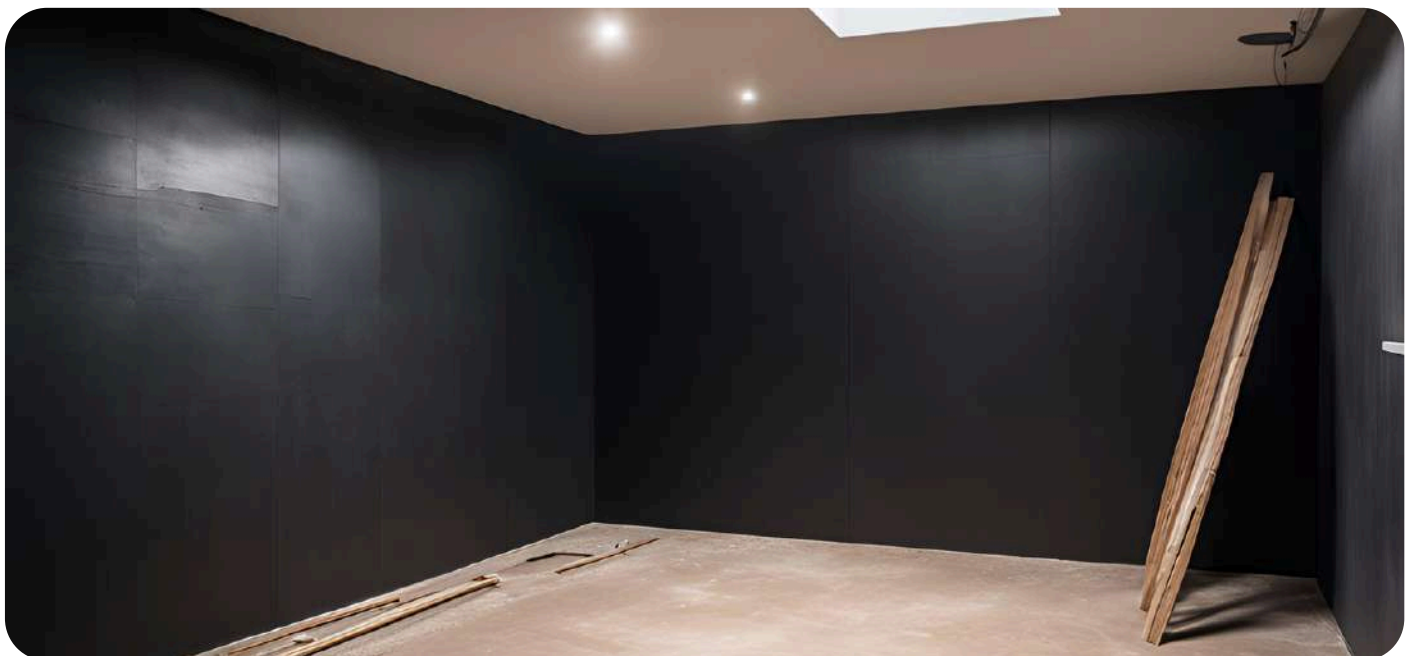




HELPFUL TIPS

- Use disposable gloves
- Use a 3/8 (10mm) roller, brush or heavy duty airless paint sprayer ([Refer to TDS](#))
- Mix products well before using
- Apply all recommended material to a final thickness of 20-30 mil (0.5-0.75mm)
- Foundation Sealant not meant for long term UV exposure.
- It is always a good idea to apply a small test patch in an inconspicuous area to ensure adequate adhesion.
- Do not let products freeze in their containers
- Do not combine Liquid Rubber Foundation Sealant with any Color Sealants
- Generally you can apply 2 generous coats per day. Apply next coat when dry to the touch, is uniform in color and nothing is wet underneath. Tacky is OK.
- If you allow your coating to dry too much, you can score/cut along the masking tape line before pulling to prevent lifting the coating
- Apply each coat in an alternate direction to the last coat to ensure even coverage
- Extend rain gutters and slope grade away from your building.
- Ensure weeping tile is working properly channeling water away from your building.

Not meant for walking surfaces



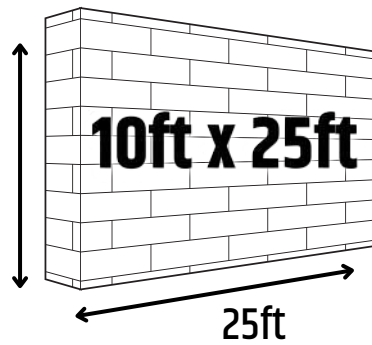


PRODUCT COVERAGE



=

10ft



Apply 5 gallons for:

= **250ft²**

FOUNDATION SEALANT

COVERAGE

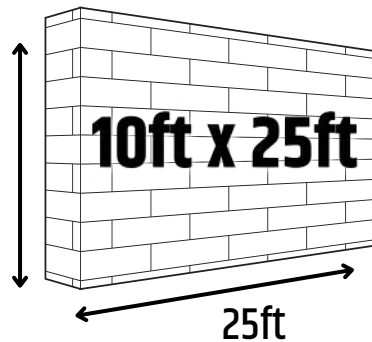
1 Gallon = 50 FT²

5 Gallon = 250 FT²



=

10ft



Apply 5 gallons for:

= **250ft²**

COLOR SEALANT

COVERAGE

1 Gallon = 50 FT²

5 Gallon = 250 FT²



PRODUCT COVERAGE



MULTIPURPOSE PRIMER

COVERAGE

1 Gallon = 175 - 200 FT²



DECK & PATIO CLEANER

COVERAGE

1 Gallon = 200-400 FT²



GEO-TEXTILE

COVERAGE

4" X 160FT ROLL



SEALANT & ADHESIVE

WHITE & CLEAR

COVERAGE

1/4" BEAD" = 24 LINEAR FEET