



LIQUID RUBBER

FLAT & LOW SLOPE ROOFS

APPLICATION GUIDE

1150 Eighth Line Unit 16 Oakville, ON L6H 2R4
1-855-592-1049 | Support@ShopLiquidRubber.com

www.ShopLiquidRubber.com



FLAT ROOFS ARE NOTORIOUS FOR LEAKING

Whether it's a vent, seam or skylight, it seems to never end. Eliminate the need for costly service calls with Liquid Rubber Roof Products. It's the easy, Do-It-Yourself way to keep your roof leak free.



STEP 1: BEFORE YOU BEGIN

IDENTIFY YOUR ROOF

1. **Modified Bitumen (Mod-Bit or Torch Down)** - Rolled out roofing that consists of a base sheet and a cap sheet that is torched to one another. Feels like a standard, sloped, home roof shingle.
2. **Plywood/OSB** - Usually 4x8 sheets used for shed & storage roofing.
3. **Concrete** - Generally a poured concrete slab roof rejuvenation.
4. **Sprayed Polyurethane Foam (SPF)** - Expanding foam used to insulate the roof.
5. **EPDM** - Rubber sheet membrane that feels like an inner tube.
6. **TPO** - Sheet membrane that feels plastic-like and has a slight texture.
7. **PVC** - Looks similar to TPO but the seams are adhered instead of heat welded which produces thicker seams.
8. **Fiberglass** - Smooth, hard, gel like surface.

If you're not sure of your roof type, take some pictures and email them over to Support@ShopLiquidRubber.com We can walk you through the whole process.

**Liquid Rubber is intended as a restoration product, check with local building code guidelines for over living space roof requirements in your area.*



Before



After



Before



After



Before



After



PICK THE RIGHT PRODUCTS:

SELECT YOUR SEALANT

1. **Color Sealant** - Multiple color options including clear
2. **Waterproof Sealant** - Black
3. **Silicone Roof Coating** - White (*Allows for 1 coat application*)

PICK THE RIGHT PREP & PRIMER

1. **Mod-bit (roll-down/torch down) and SPF** does not normally require a primer.
2. **Wood, PVC, Fiberglass** – Liquid Rubber Multi-Purpose Primer & Deck And Patio Cleaner
3. **Concrete** - Liquid Rubber Multi-Purpose Primer & Concrete Etch
4. **EPDM or TPO** – Liquid Rubber EPDM & TPO Primer & RV Smart Cleaner
5. **Cracks, joints & voids** - Liquid Rubber Sealant & Adhesive Caulk, Geo-Textile or Seam Tape

INSPECTION

Improperly prepared surfaces can result in the reduction of the service life and performance of the membrane coating. A thorough inspection of the substrate prior to beginning work should be performed to ensure adhesion and the integrity of the coating. Liquid Rubber products must be installed on a sound substrate. [How to perform an adhesion test.](#)

*Performing a moisture test is recommended. Although a surface may appear dry, internal moisture can become trapped under a coating and would sacrifice the integrity of the structure. For Wood - [click HERE](#). For Concrete - [click HERE](#)

- Surface must be free of voids, low/ponding areas and irregularities.
 - Drains, gutters, scuppers, etc. must be in good condition and functioning properly.
 - If an existing coating is present, determine the compatibility of the coating to Liquid Rubber products by coating a small test area.
- *Do not apply to silicone or coal tar [*Liquid Rubber Silicone Roof Coating can be applied to most silicones*]

Mod-Bit, EPDM, TPO, PVC, Fiberglass - Look for cracked surfaces, failed seams, pulling away from roof elements like vents, etc. *A moisture test for single ply can be performed by conducting an Infrared Moisture Scan

Concrete - Look for cracks, spalls, and honeycombing and repair. Look for laitance. [A moisture test is recommended](#)

Wood - Check for protruding nails/screws and splinters; countersink or remove and fill. Wood must be adequately dry. [Perform a moisture test.](#) Moisture content needs to be below 15% before coating.

Spray Polyurethane Foam (SPF) - SPF should be completely dry and free of defects. The elastomeric topcoat should be well bonded. Loose, flaky material should be removed, blisters cut out, pinholes, ponding/low area's and light spots repaired. Rasp oxidized/weathered foam (this may appear as pitting or as a rusty or patchy color). SPF repairs should be complete and fully cured prior to waterproofing application.





STEP 2: ONCE YOU HAVE YOUR SUPPLIES

WEATHER & WHEN TO APPLY

- Apply in dry, warm temperatures between 10C/50F and 30C/86F, including overnight temperatures
- Do not apply in wet conditions or if rain, fog or dew is forecasted within 24 hours
- Out of hot, direct and intense sun
- Below 80% humidity
- Make sure what you are coating is at least 5 degrees above the dew point of the environment ([Click here for more info](#))

SET UP & CLEAN UP:

Stay organized and limit clean up by following these setup tips:

1. Set out a tarp or large piece of cardboard to keep containers and tools on when not in use.
2. If there is a spillage, soak up as much material as possible with rags.
3. Clean your Clear or Colored Sealant spillages with soap and water as much as possible.
4. Black/Bitumen Sealants & Silicone should be cleaned up immediately with mineral spirits (sparingly) or baby oil to weaken surface
5. If the spillage dries, scrape it off with a razor/scrapper/etc and use a wire brush to remove.
6. Do not use solvents or solvent based cleaners, adhesives, and paints near your working area.
7. Wrap tools in plastic to keep them moist between coats (kitchen wrap is fine). Best to use disposable brushes and rollers.
8. Refer to the product Safety Data Sheet for personal protective equipment recommendations.

**Test inconspicuous area first to ensure no discoloration on surface*



STEP 3: PREPARE THE AREA

PREPARATION & CLEANING:

Liquid Rubber roofing products must be installed on a clean, dry, and structurally sound surface that is free of sharp edges, dirt, debris, oil, grease, coal tar, mastics, flaking paint, silicone, or other contaminants.

1. **a. Mod-Bit** - clean using compressed air, a sweeper, or pressure washer to provide a clean bonding surface. (be cautious when introducing water, as the surface must be completely dry for application and cure).
- b. Wood** - use Liquid Rubber Deck and Patio cleaner to remove contaminants and brighten the wood. Rinse thoroughly and allow to dry completely.
- c. Concrete** - use Liquid Rubber Concrete Etch to remove laitance and create profile on the concrete. Rinse thoroughly and allow to dry completely.



PREPARATION & CLEANING CONTINUED

d. SPF - rasp oxidized/weathered or contaminated foam (this may appear as pitting or as a rusty or patchy color). SPF repairs should be complete and fully cured prior to waterproofing application.

e. EPDM - Clean with Liquid Rubber RV Roof cleaner to remove contaminants. Rinse thoroughly and allow to dry completely.

f. TPO, PVC and Fiberglass - roughen the surface with 120 grit sandpaper. Clean to remove debris. Rinse thoroughly and allow to dry completely.

2. Use masking tape for areas not to be painted and remove while the Primer/Coating is still wet. Apply masking tape for each coat.

STEP 4: DETAIL WORK

FILLING SEAMS, JOINTS AND IMPERFECTIONS:

1. Mod Bit & SPF

a. Fill cracks and joints ($\frac{1}{4}$ " and larger) with Liquid Rubber Sealant & Adhesive Caulking. Allow to dry.

b. Then bridge all cracks, joints and seams with Liquid Rubber Seam Tape or Liquid Rubber Geo-Textile using the 3 course method (*Sealant/Coating - Geo-Textile - Sealant/Coating*)

2. Plywood & Concrete

a. Fill cracks and joints ($\frac{1}{4}$ " and larger) with Liquid Rubber Sealant & Adhesive Caulking. Allow to dry.

b. Apply Liquid Rubber Multi-Purpose Primer. Allow to dry leaving a couple inches exposed to lap onto when doing the full coating.

c. Then bridge all cracks, joints and seams with Liquid Rubber Seam Tape or Liquid Rubber Geo-Textile using the 3 course method (*Sealant/Coating - Geo-Textile - Sealant/Coating*)

3. EPDM, TPO, PVC and Fiberglass

a. Wipe around edges and seams with Acetone soaked white rag. (Do not pour acetone directly onto the roof & Colored rags may leave dye behind)

b. Fill cracks and joints ($\frac{1}{4}$ " and larger) with Liquid Rubber Sealant & Adhesive Caulking. Allow to dry.

c. Apply appropriate Primer. Allow to dry leaving a couple inches exposed to lap onto when doing the full coating.

d. Then bridge all cracks, joints and seams with Liquid Rubber Seam Tape or Liquid Rubber Geo-Textile using the 3 course method (*Sealant/Coating - Geo-Textile - Sealant/Coating*)





STEP 5: APPLY THE COATING

HOW TO APPLY LIQUID RUBBER ROOF COATING

Once your preparation is complete, clean, and dry you can begin your full field application.

1. If primer is needed:

a. Multi-Purpose Primer: apply to entire surface and allow to dry.

b. EPDM & TPO Primer: Primer will remain extremely sticky. Work in manageable sections (i.e. 10ft x 10ft). When coating, leave 4-6 inches of the primer exposed so you can lap onto it when beginning the next section.

2. Begin applying your selected Liquid Rubber waterproof coating in the farthest corner and work toward your exit. Work in manageable sections (i.e. 10ft x 10ft). Lap onto adjoining sections maintaining a wet edge. (When lapping onto a dry section, overlap by 4-6 inches).

3. Inspect each coat as you go for blisters, pinholes, etc and repair as necessary.

4. Apply additional coats in alternating directions to help ensure uniform membrane thickness. **Apply final coat in the direction of slope for positive drainage. Use all recommended material.*

5. Remove painters tape while coating is still wet. Apply masking tape for each coat (or just stay shy of the termination line).

Allow to cure completely. ****Initial cure(set) within 48 hours or until completely dry.**

HELPFUL TIPS

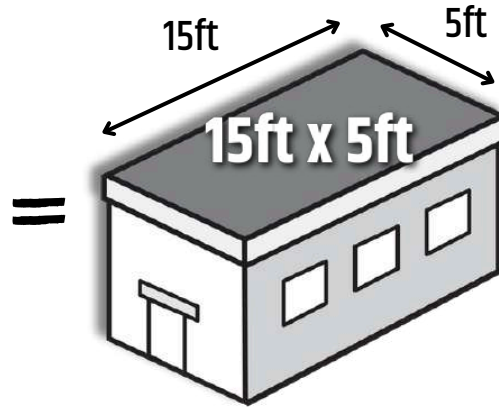
- Use disposable gloves
- Use a 3/8 (10mm) roller, brush or heavy duty airless paint sprayer (Refer to TDS)
- Mix products well before using
- Apply the final coat in the direction of slope for positive drainage
- It is always a good idea to apply a small test patch in an inconspicuous area to ensure adequate adhesion prior to full application.
- When used on a living space, building code will usually require approved roofing, waterproofing, and cladding materials
- Do not let products freeze in their containers
- If you allow your coating to dry too much, you can score/cut along the masking tape line before pulling to prevent lifting the coating
- Apply each coat in an alternate direction to the last coat to ensure even coverage
- Do not combine Liquid Rubber Waterproof Sealant with any Color Sealants or Silicone Roof Coating
- Ensure drains are present and functioning
- Not meant for walking surfaces



WATERPROOF SEALANT

COVERAGE

1 Gallon = 15 FT²
5 Gallon = 75 FT²



Apply 5 gallons for:

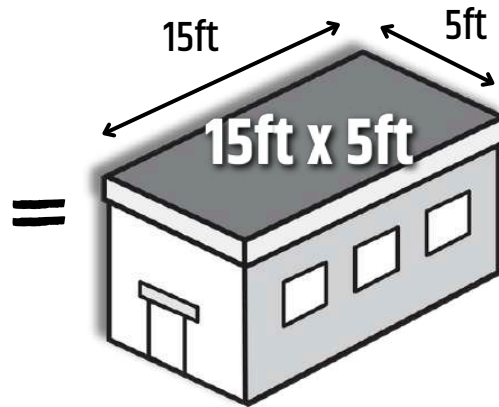
= **75ft²**



COLOR SEALANT

COVERAGE

1 Gallon = 15 FT²
5 Gallon = 75 FT²



Apply 5 gallons for:

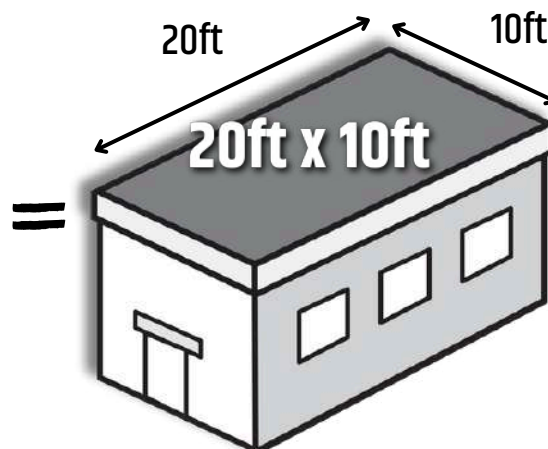
= **75ft²**



SILICONE ROOF COATING

COVERAGE

1 Gallon = 50 FT²
4 Gallon = 200 FT²



Apply 4 gallons for:

= **200ft²**



EPDM & TPO PRIMER

COVERAGE
1 Gallon = 250 FT²



MULTI-PURPOSE PRIMER

COVERAGE
1 Gallon = 175 - 200 FT²



DECK & PATIO CLEANER

COVERAGE
1 Gallon = 200-400 FT²



RV SMART CLEANER

COVERAGE
1 Gallon = 200-400 FT²



SEALANT & ADHESIVE WHITE & CLEAR

COVERAGE
1/4" BEAD" = 24 LINEAR FEET



CONCRETE ETCH

COVERAGE
160-240 ft²



SEAM TAPE

COVERAGE
4" X 50 FT ROLL
2" X 50 FT ROLL



GEO-TEXTILE

COVERAGE
4" X 160FT ROLL