



**LIQUID RUBBER**

# INTERIOR BASEMENT

## APPLICATION GUIDE

### Time to Complete

**Application time:**

48 hours

**Cure time:**

72 hrs

### Difficulty

**Beginner**

### Products Needed

**3-4**

## TABLE OF CONTENTS

Before you begin	page 2	Application	page 6
Products & Inspection	page 3	Helpful Tips	page 7
Weather & Prep	page 4	Coverage	page 8
Cleaning	page 5		

1150 Eighth Line Unit 16 Oakville, ON L6H 2R4  
1-855-592-1049 | Support@ShopLiquidRubber.com

[www.ShopLiquidRubber.com](http://www.ShopLiquidRubber.com)



## PROTECT YOUR BASEMENT



Protect your home with Liquid Rubber Foundation Sealant & Color Roof Sealant—your ultimate defense when exterior application isn't an option. These easy-to-apply waterproof membranes prevent water intrusion, safeguarding your space from mold and water damage. Keep your home dry, safe, and secure!



Foundation Sealant



Color Roof Sealant - Light Grey

## STEP 1: BEFORE YOU BEGIN IDENTIFY YOUR SURFACE

Liquid Rubber Foundation Sealant & Color Roof Sealant are the last line of defense for protecting your home's foundation (when exterior application is not feasible)

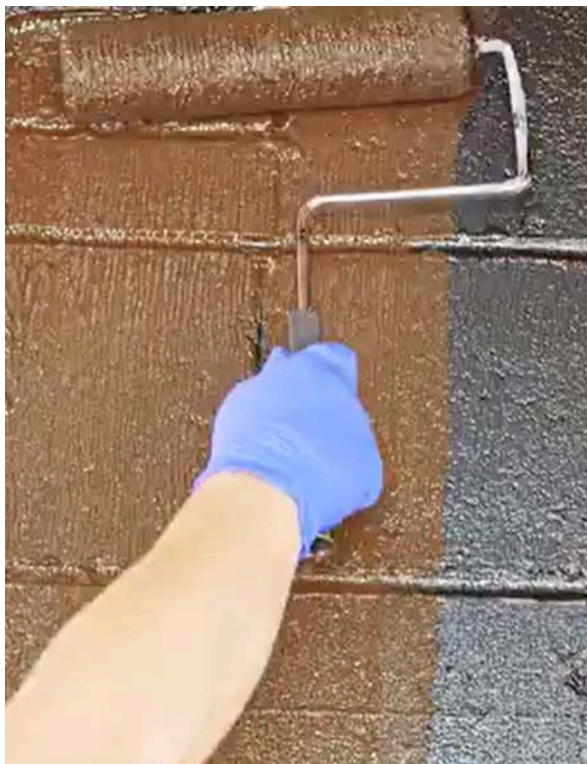
These products can be used on:

- Poured concrete
- Concrete masonry units (CMU's)
- Insulated concrete forms (ICF)
- Pre-cast, and permanent wood foundations (PWF's)

These easy to apply waterproof membranes will help to prevent the intrusion of water into your living or storage space, resulting in mold and/or water damage to your property.

Follow the steps detailed below to ensure proper installation of your high performance foundation coating. It is always recommended to waterproof the exterior whenever possible.

If you need any help along the way, reach out to our Product and Application Support Team by phone: 1-855-592-1049 or email: [Support@ShopLiquidRubber.com](mailto:Support@ShopLiquidRubber.com) We can walk you through the whole process.



Foundation Sealant dries black

*Consult your local building code when necessary.*



## PICK THE RIGHT PRODUCTS:

### SELECT YOUR SEALANT

1. **Color Roof Sealant** - Multiple color options including clear
2. **Foundation Sealant** - Black

### PICK THE RIGHT PREP & PRIMER

1. **Wood** – Liquid Rubber Multipurpose Primer & Liquid Rubber Multipurpose Cleaner
2. **Concrete** – Liquid Rubber Multipurpose Primer & Liquid Rubber Concrete Etch
3. **Cracks, joints & voids** – Liquid Rubber Sealant & Adhesive Caulk and Liquid Rubber Geo-Textile

### ADDITIONAL SUPPLIES

- Sanding block or sandpaper
- Painters tape
- Mineral Spirits or Acetone
- Gloves
- Water supply
- Mineral oil or baby oil
- Disposable nylon bristle brushes
- Bucket for cleaning
- Caulking gun
- Disposable ¾" microfiber rollers
- Scrub brush

### INSPECTION

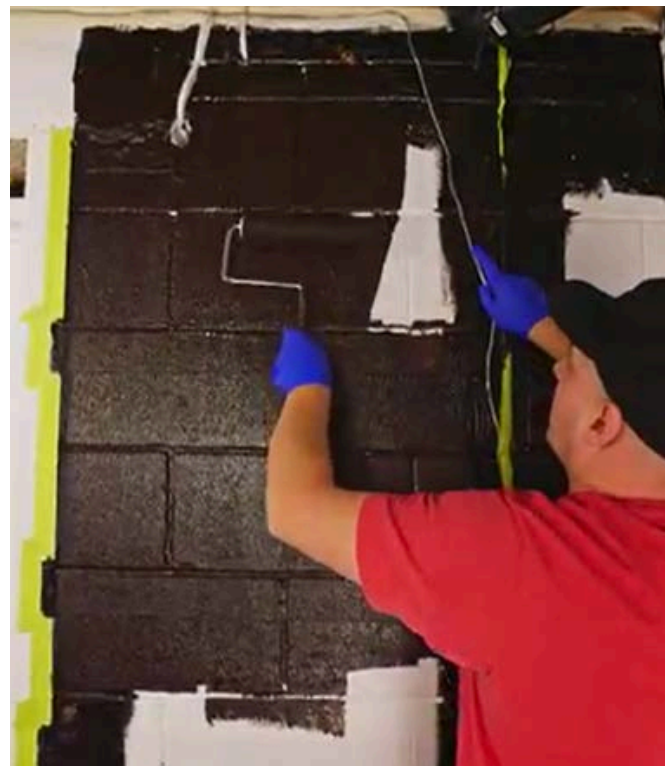
All surfaces must be structurally sound, clean, dry, and free from contaminants that would prevent proper adhesion.

**Concrete:** Should be allowed to cure for at least 28 days.

**Liquid Rubber Foundation Sealant** can be applied over aged solvent-based existing coatings. Foundation cracks can be an indicator of structural damage. Consult a professional. Concrete should be free of laitance or efflorescence and have less than 5% moisture content. Refer to moisture test guidelines on concrete by [clicking here](#).

**Wood:** Secure raised nail heads, screws, and loose panels. Pre-fill imperfections such as screw holes, knots, and splits in the wood with a high quality wood filler or with **Liquid Rubber Sealant & Adhesive**. Replace damaged and rotting wood and remove loose splinters. [Refer to moisture test for wood here](#)

**ICF:** Rasp the surface to remove oxidized material and create surface profile.





## STEP 2: ONCE YOU HAVE YOUR SUPPLIES

### WEATHER & WHEN TO APPLY

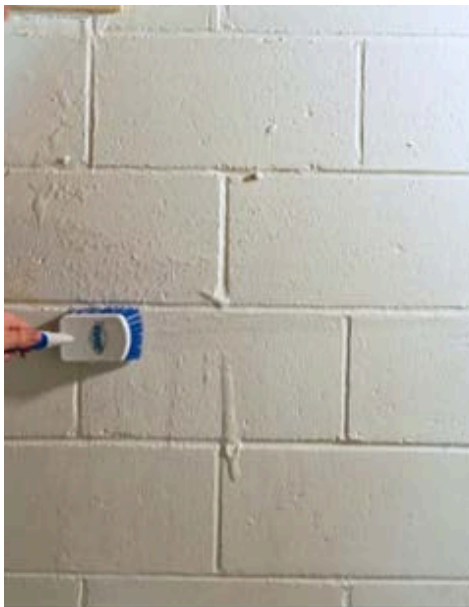
- Apply in dry, warm temperatures between 50°F to 86°F (10° to 30°C), including air, surface and overnight temperatures
- Do not apply in wet conditions or if rain is forecasted within 24 hours
- Out of hot, direct and intense sun
- Below 80% humidity
- Make sure you have 6-8 hours dry time in recommended conditions before fog or dew sets in.
- Make sure what you are coating is at least 5 degrees above the dew point of the environment ([Click here for more info](#))

### SET UP & CLEAN UP:

Stay organized and limit clean up by following these setup tips:

1. Set out a tarp or large piece of cardboard to keep containers and tools on when not in use.
2. Clean off skin immediately with baby oil or mineral oils.
3. If there is a spillage, soak up as much material as possible with rags.
4. Foundation Sealant should be cleaned up immediately with mineral spirits (sparingly) to weaken surface  
*\*Test inconspicuous area first to ensure compatibility and no discoloration on surface*
5. Clean your Color Roof Sealant spillages with soap and water as much as possible.
6. If the spillage dries, scrape it off with a razor/scrapper/etc and use a wire brush to remove.
7. Do not use solvents or solvent based cleaners, adhesives, and paints near your working area.
8. Wrap tools in plastic to keep them moist between coats (kitchen wrap is fine). Best to use disposable brushes and rollers.

Refer to the product Safety Data Sheet for personal protective equipment recommendations.



## STEP 3: PREPARE THE AREA

### PREPARATION & CLEANING:

Liquid Rubber products must be installed on a clean, dry, and structurally sound surface that is free of sharp edges, dirt, debris, oil, grease, coal tar, mastics, flaking paint, silicone, or other contaminants.

1. **Grind** or knock off sharp points.
2. **Scuff** walls with 120 grit sandpaper. If previously painted or coated, remove any loose or flaking material.
3. **Clean** the surface: Use **Liquid Rubber Multipurpose Cleaner** to remove mildew and organic growth. (See page 5)
4. Use **painters tape** for areas not to be painted and remove tape while the Primer/Coating is still wet. (Reapply masking tape for each coat)
5. Once the surface is **dry**, it is recommended to perform a moisture test. (Linked above in the inspection section)



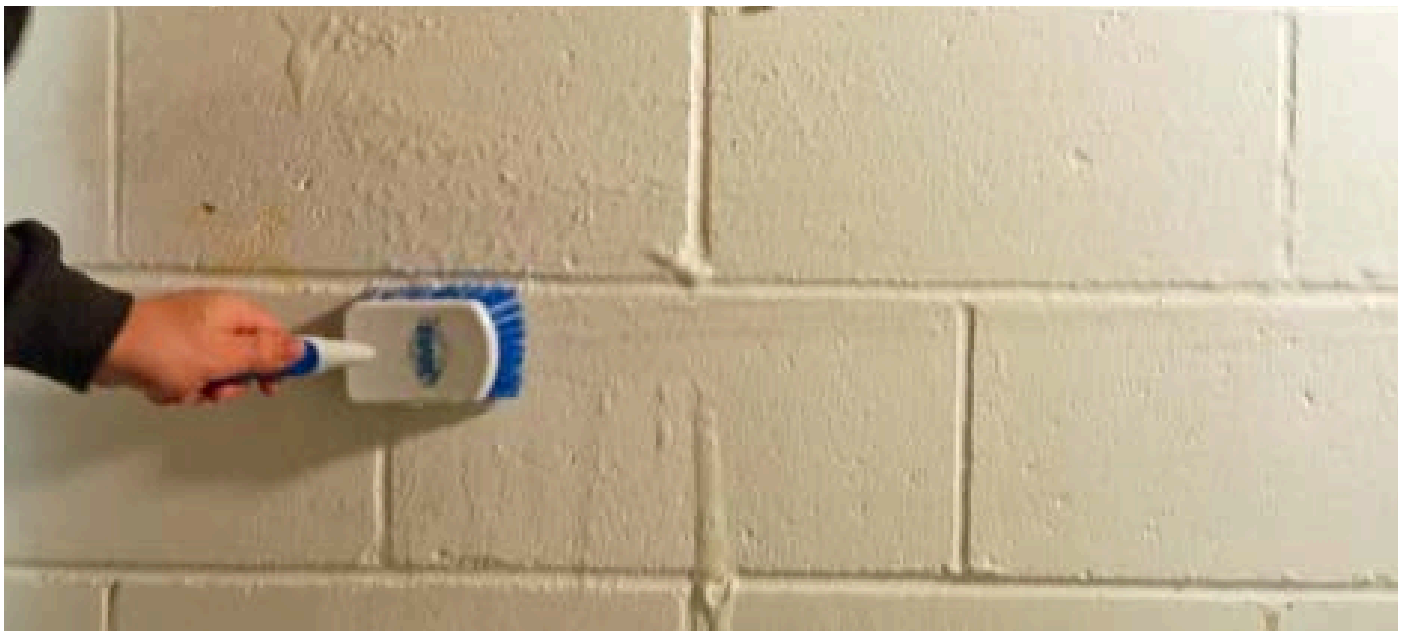
## USING MULTIPURPOSE CLEANER

1. Wet the surface lightly
2. Apply cleaner with sprayer or spread with a brush to the surface.
3. Allow Cleaner to sit on the surface for 5-10 minutes without letting it dry.
4. Scrub the surface with a stiff bristle brush
5. Rinse thoroughly with clean water
6. Repeat if necessary

## USING CONCRETE ETCH

1. Use a pressure washer to clean the surface and remove any standing water.
2. Mix 1 pack of **Liquid Rubber Concrete Etch** with 4/5 of a gallon (3L) of warm water in a plastic pail or chemical-resistant sprayer. Stir until fully dissolved.
3. Apply the etching solution to damp concrete using a sprayer or stiff broom and scrub for 1–2 minutes until slight foaming occurs.
4. Leave the solution on for 30 minutes, scrubbing occasionally. Keep the surface wet and reapply solution if needed.
5. Rinse thoroughly with a pressure washer and let the concrete dry completely. This may take up to 48 hours, depending on temperature and humidity.

\*Etched surfaces should feel like 150 medium-grit sandpaper. Repeat the process if the concrete is very smooth or power-troweled.





## STEP 4: DETAIL WORK

### FILLING SEAMS, JOINTS AND IMPERFECTIONS:

1. Fill cracks and joints  $\frac{1}{8}$ " -  $\frac{1}{2}$ " (maximum depth  $\frac{1}{2}$ " ) with **Liquid Rubber Sealant & Adhesive Caulking**. \*Use foam backer rod if needed to control depth. Allow to 24 hours to dry before coating over.
  - a. After cutting top of tube to desired bead width, pierce inner seal multiple times to ensure product flows freely.
2. Cracks or holes larger than  $\frac{1}{2}$ " should be filled with patching material (ie. concrete patch - allow to cure fully before coating)
3. Bridge all cracks, joints and seams with **Liquid Rubber Geo-Textile** using the 3 course method (Primer - Geo-Textile - Primer). Ensure the Geo-Textile is smooth and free of wrinkles and voids
4. Apply **Liquid Rubber Multipurpose Primer** to entire surface to be coated. Allow to dry. (1-2 hours)

*\*Remember, these are the area's most likely to leak so pay special attention to the details, nobody wants to do it twice!*



## STEP 5: APPLY THE COATING

### HOW TO APPLY LIQUID RUBBER COATING

Once your preparation is complete, and the primer is dry you can begin your full field application.

1. Mix product well with large stir stick or equivalent
  2. Begin applying your selected Liquid Rubber coating in manageable sections (i.e. 10ft x 10ft). Lap onto adjoining sections maintaining a wet edge. (When lapping onto a dry section, overlap by 4-6 inches).
  3. Inspect each coat as you go for blisters, pinholes, and imperfections and repair as necessary.
  4. Allow 6-8 hours between coats (dry to the touch) Apply additional coats in alternating directions to help ensure uniform membrane thickness.
- Remove painters tape while coating is still wet. Apply painters tape for each coat (or just stay shy of the termination line).
  - Apply all recommended material (final coverage) to achieve your waterproof membrane.
  - Allow to cure completely. \*\*Initial cure (set) within 48 hours or until completely dry.

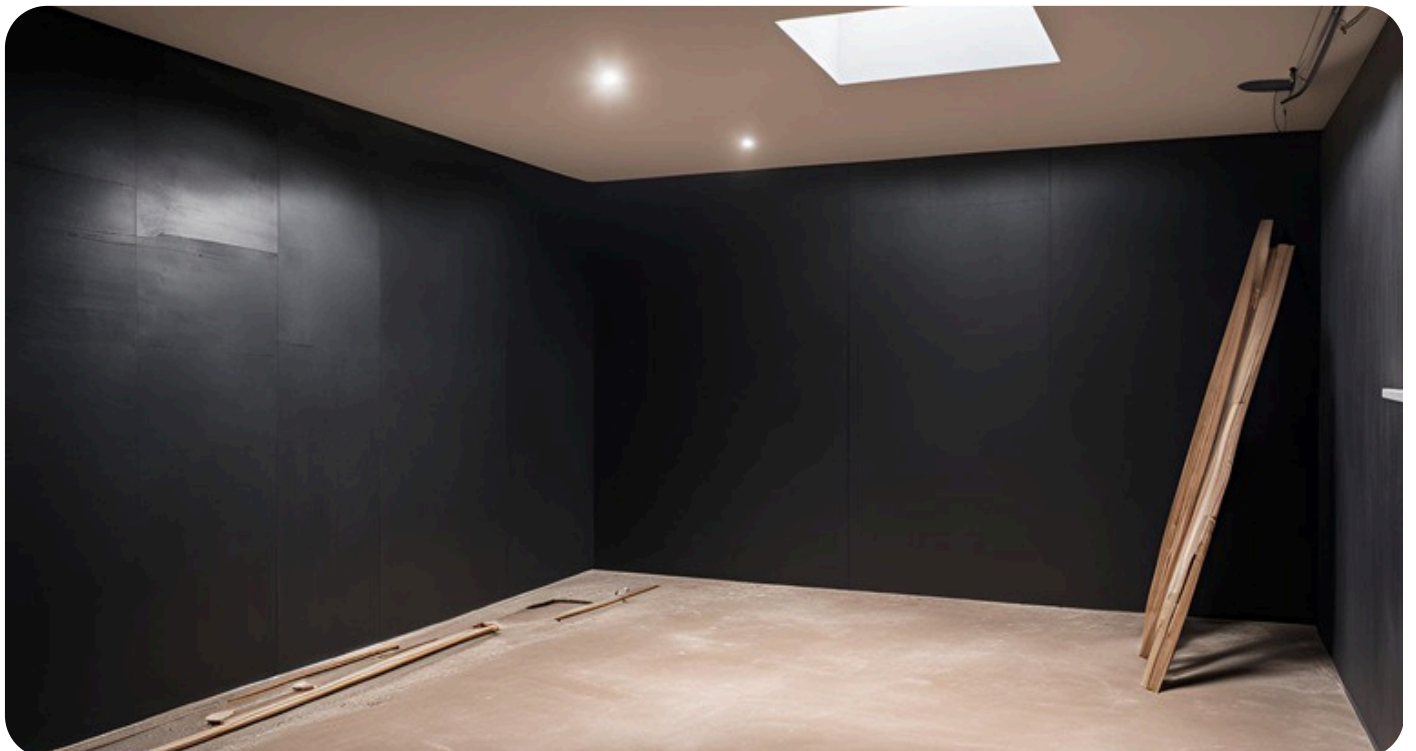




## HELPFUL TIPS

- Use disposable gloves
- Mix products well before using
- Apply all recommended material to a final thickness of 20-30 mil (0.5-0.75mm)
- Foundation Sealant is not meant for long term UV exposure.
- It is always a good idea to apply a small test patch in an inconspicuous area to ensure adequate adhesion.
- Do not let products freeze in their containers
- Generally you can apply 2 generous coats per day. Apply next coat when dry to the touch, is uniform in color and nothing is wet underneath. Tacky is OK.
- If you allow your coating to dry too much, you can score/cut along the masking tape line before pulling to prevent lifting the coating
- Ensure weeping tile is working properly channeling water away from your building.
- Do not combine Liquid Rubber Foundation Sealant with any Color Roof Sealants

**Not meant for walking surfaces**



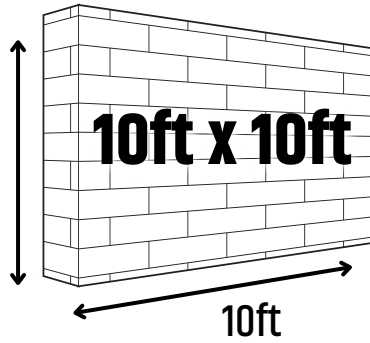


# PRODUCT COVERAGE



=

10ft



Apply 5 gallons for:  
**= 250ft<sup>2</sup>**

## FOUNDATION SEALANT COVERAGE

1 Gallon = 50 FT<sup>2</sup>

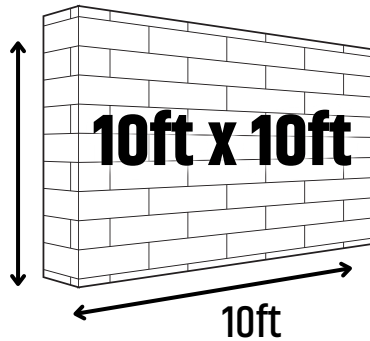
5 Gallon = 250 FT<sup>2</sup>

Use our [Interior Basement](#) Kit builder to calculate how much you need [\[click here\]](#)



=

10ft



Apply 5 gallons for:  
**= 250ft<sup>2</sup>**

## COLOR ROOF SEALANT COVERAGE

1 Gallon = 50 FT<sup>2</sup>

5 Gallon = 250 FT<sup>2</sup>

Use our [Interior Basement](#) Kit builder to calculate how much you need [\[click here\]](#)

### IMPORTANT NOTE:

Coverage rates shown are TOTAL amounts needed for proper protection - not per coat.

You will need to use the full amount to reach the required thickness. Use our kit builder to make sure you have the right amount for your project.





# PRODUCT COVERAGE



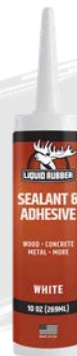
**MULTIPURPOSE PRIMER**  
COVERAGE  
1 Gallon = 175-200 FT<sup>2</sup>



**MULTIPURPOSE CLEANER**  
COVERAGE  
1 Gallon = 200-400 FT<sup>2</sup>



**GEO-TEXTILE**  
COVERAGE  
4IN X 160FT ROLL



**SEALANT & ADHESIVE**  
WHITE & CLEAR  
COVERAGE  
1/4" BEAD = 24 LINEAR FEET